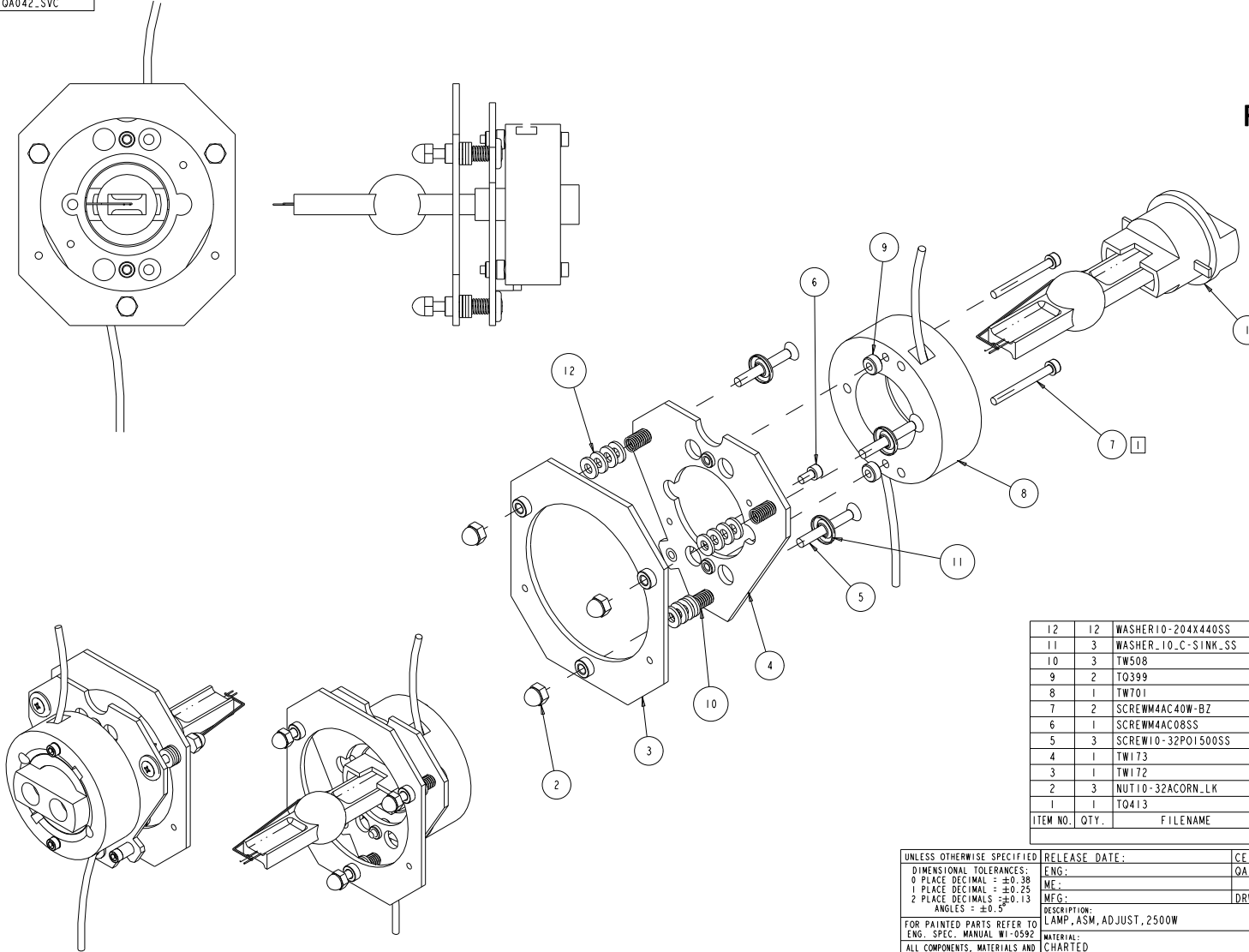


# FOR SERVICE REFERENCE ONLY



NOTES:  
 [1] TORQUE SCREW TO 11 IN/LB (2 PLCS)

12	12	WASHER10-204X440SS	90706012	WASHER,FLAT #10 SS
11	3	WASHER_10_C-SINK_SS	90706203	WASHER,#10,.594 OD,CTSK FINISH,18-8,SS
10	3	TW508	90701210	SPRING, COMPRESSION,.30 OD x 1.0 L SS
9	2	TQ399	99260592	SPACER,LAMP SOCKET,Z-AXIS
8	1	TW701	99150025EF	SOCKET,LAMP,PG150
7	2	SCREWM4AC40W-BZ	91000440	SCREW,M4 SOCKET CAP 40 BZ SEMS
6	1	SCREWM4AC08SS	91100408	SCREW,M4 SOCKET CAP 08 SS
5	3	SCREW10-32P01500SS	90709205	SCREW,10-32,PHIL OVAL 1 1/2,18-8,SS
4	1	TW173	99080303	PLATE,LAMP MOUNTING SG
3	1	TW172	99080302	PLATE,LAMP ADJUST. SG
2	3	NUT10-32ACORN_LK	90703108	NUT,ACORN10-32,SELF-LOCK,3/8W,13/32H SS
1	1	TQ413	55030087	LAMP,2500 WATT FASTFIT
ITEM NO.	QTY.	FILENAME	PART NO.	DESCRIPTION

BILL OF MATERIALS

UNLESS OTHERWISE SPECIFIED	RELEASE DATE:	CE:	2105 GRACY FARMS LANE AUSTIN, TEXAS 78758 (512) 836-2242 FAX (512) 832-4128 ***** http://www.highend.com	LIGHTWAVE RESEARCH
DIMENSIONAL TOLERANCES:	ENG:	QA:		
0 PLACE DECIMAL = ±0.38	ME:	DRW:		
1 PLACE DECIMAL = ±0.25	MEG:			
2 PLACE DECIMALS = ±0.13	DESCRIPTION:			
ANGLES = ±0.5°	LAMP, ASM, ADJUST. 2500W			
FOR PAINTED PARTS REFER TO	MATERIAL:		FINISH:	
ENG. SPEC. MANUAL WI-0592	CHARTED		NONE	
ALL COMPONENTS, MATERIALS AND				
FINISHES TO BE RHHS COMPLIANT				
MIN. DRAFT	INTERPRET DIMENSIONS PER	SI METRIC A1	PART NO.	DRAWING NO.
MIN. RADIUS	ASME Y14.5M-1994		INTERNAL	TQA042_SVC
FLATNESS	THIRD ANGLE PROJECTION			
THICKNESS	DIMENSIONS ARE IN MILLIMETERS			
VOLUME			DO NOT SCALE	SCALE: 1.000
				SHEET: 1 OF 1

**PROPRIETARY NOTICE:**  
 THIS DOCUMENT CONTAINS CONFIDENTIAL AND PROPRIETARY INFORMATION OF HIGH END SYSTEMS INC., (ALSO DBA LIGHTWAVE RESEARCH) AND IS GIVEN TO THE RECEIVER IN CONFIDENCE. THE RECEIVER ACCEPTS AND AGREES THAT, EXCEPT AS AUTHORIZED BY HIGH END SYSTEMS, THE RECEIVER WILL NOT PERMIT THE USE OF THE DOCUMENT OR ANY COPY THEREOF OR THE INFORMATION THEREIN, WILL NOT COPY OR PERMIT COPYING THE DOCUMENT OR THE INFORMATION THEREIN, AND WILL UPON COMPLETION OF THE NEED TO RETAIN THE DOCUMENT, OR UPON DEMAND, RETURN THE DOCUMENT WITHOUT RETAINING ANY OF THE INFORMATION CONTAINED THEREIN IN ANY FORM WHATSOEVER.